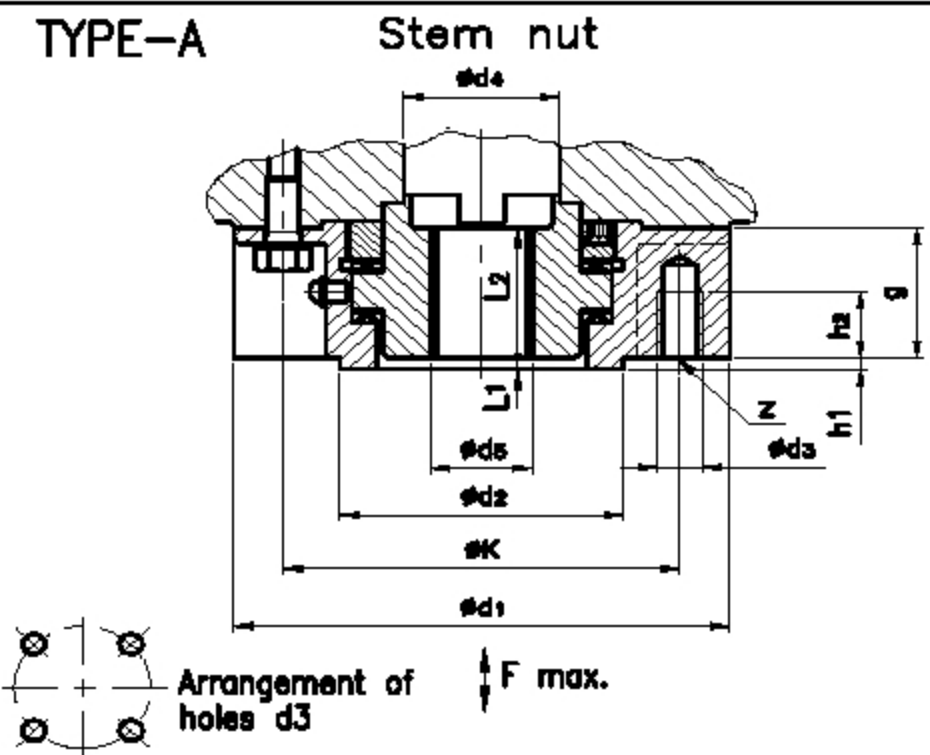
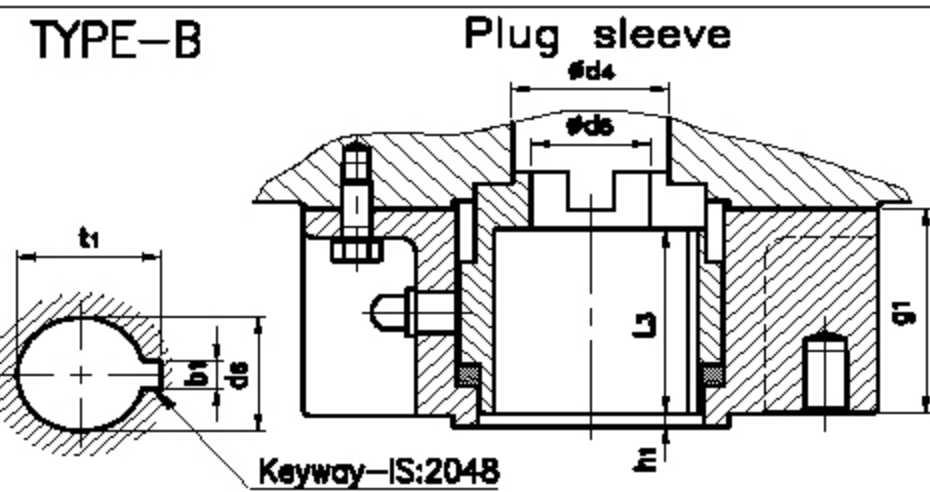
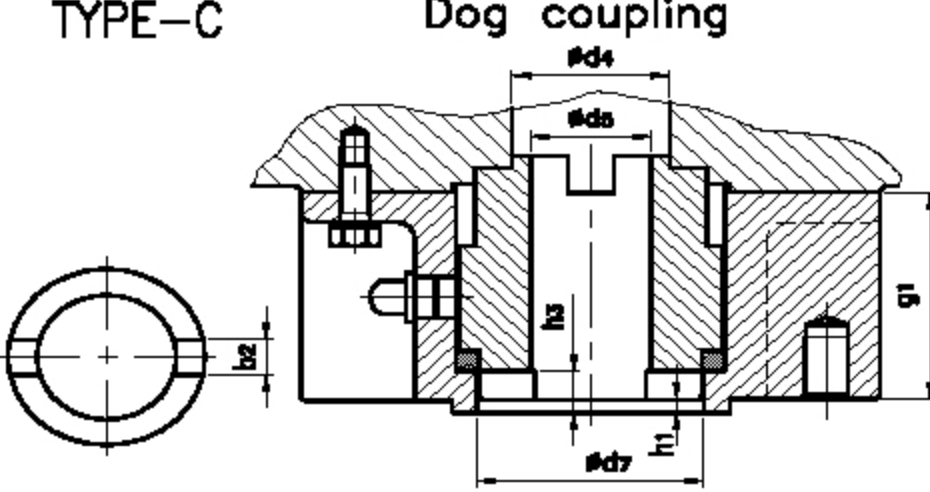
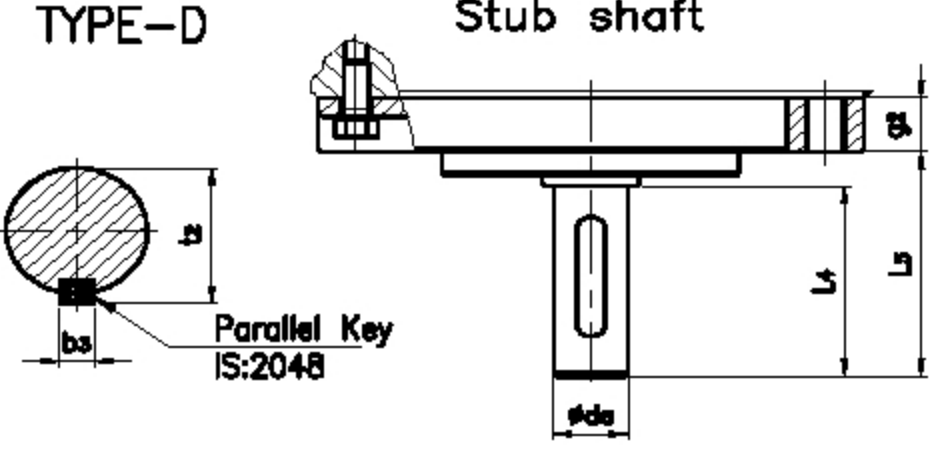
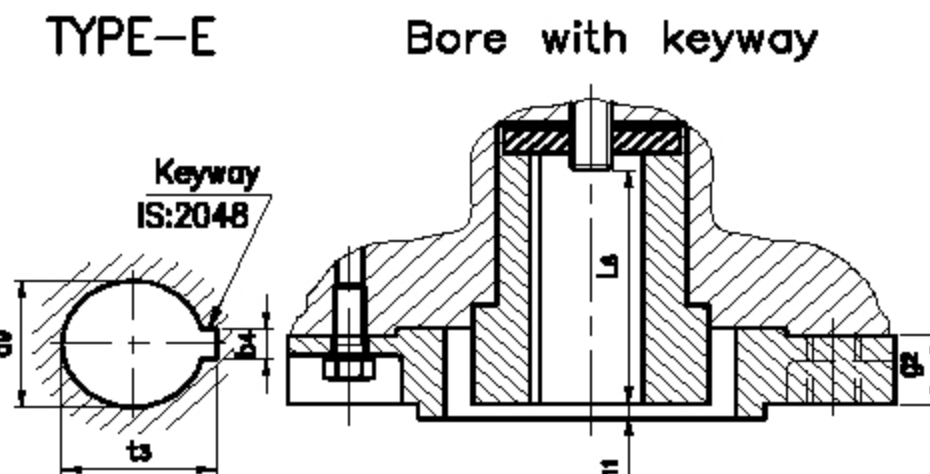


# Dimension Sheet, Output Drives

## Output drives according to DIN 3210

SA3 – SA100  
SAR3 – SAR100

TYPE-A Stem nut		Dimensions (in mm)	SA3/ SAR3	SA45/ SAR45	SA12/ SAR12/ SA15/ SAR15	SA25/ SAR25/ SA30/ SAR30	SA45/ SAR45/ SA60/ SAR60	SA80/ SAR80/ SA100/ SAR100	SA100/ SAR100	
		DIN 3210	G0	G0	G0	G½	G½	G3		
		F max. kN	25/40	40	60	120	160	190		
		$\phi d_1$	125	125	175	175	210			
		$\phi d_2$ f8	60	60	100	100	130			
		$\phi d_3$	M 10	M 10	M 16	M 16	M 20			
		$\phi d_4$	28	40	55	55	70			
		$\phi d_5$ max.	26	38	52	52	65			
		g	35	73	37	67	51	95	69	119
		h1	3	3	4	4	5			
		h2	15	15	22	22	30			
		$\phi k$	102	102	140	140	165			
		L1	1	1	2	2	3			
		L2	30	67	37	67	51	95	70	120
		Z	4	4	4	4	4			
		Weight kg	1.7	3.9	2	4.2	6	12	6	12
TYPE-B Plug sleeve		b1 JS9	12	12	18	18	22			
		$\phi d_4$	28	40	55	55	70			
		$\phi d_5$	26	38	52	52	65			
		$\phi d_6$ H8	42	42	60	60	80			
		g1	50	50	65	65	80			
		h1	3	3	4	4	4			
		L3	45	45	65	65	80			
		t1	45.3	45.3	64.4	64.4	85.4			
		Weight kg	1.7	2	6	6	12			
TYPE-C Dog coupling		b2 H11	14	14	20	20	24			
		$\phi d_4$	28	40	55	55	70			
		$\phi d_5$ DIN:3210	26	28	38	38	47			
		$\phi d_5$ max.	26	38	52	52	65			
		$\phi d_7$	50	50	75	75	100			
		g1	50	50	65	65	80			
		h1	3	3	4	4	4			
		h3	10	10	12	12	15			
		Weight kg	1.7	2	6	6	12			
TYPE-D Stub shaft		b3 H9	6	6	8	8	12			
		$\phi d_8$ g6	20	20	30	30	40			
		$\phi g_2$	15	15	22	22	30			
		L4	50	50	70	70	90			
		L5	55	55	76	76	96			
		t2	22.5	22.5	33	33	43			
		Weight kg	1	1.5	3.5	3.5	6			
TYPE-E Bore with keyway		b4 JS9	6	6	8	8	12			
		$\phi d_9$ H8 DIN3210	20	20	30	30	40			
		$\phi d_9$ max.	20	32	45	45	60			
		g2	15	15	22	22	30			
		h1	3	3	4	4	4			
		L6	55	56	77	77	100			
		t3	22.8	22.8	33.3	33.3	43.3			
		Weight kg	1	1.5	3.5	3.5	6			

**auma**