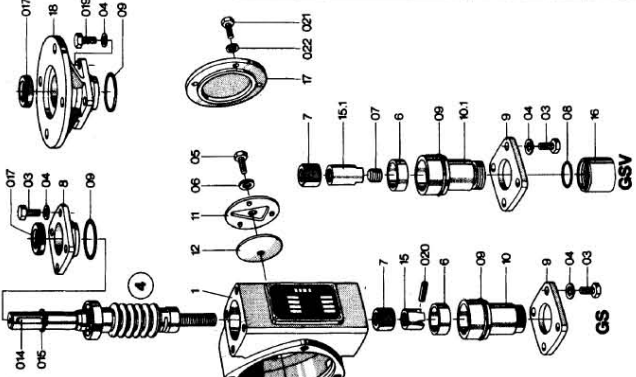
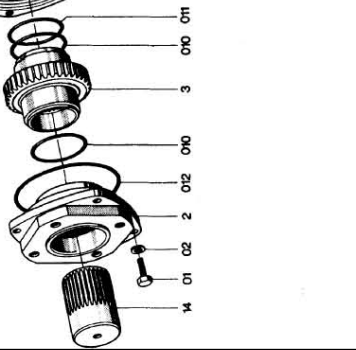
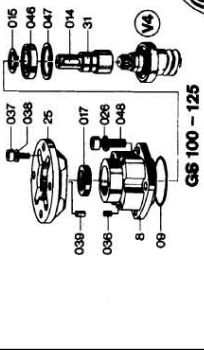
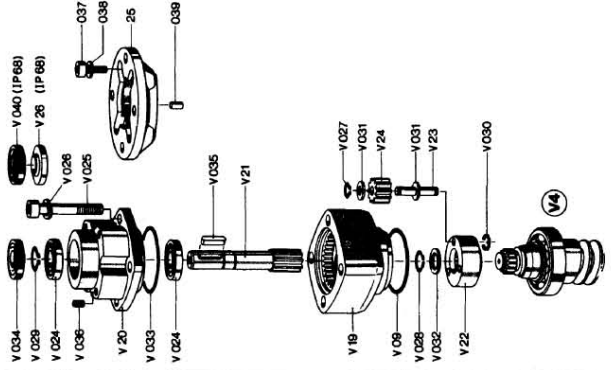


auma® india

GS 40.2 - GS 125.2



VZ 4



LIST OF PARTS

Part No.	Designation	Part No.	Designation	Part No.	Designation
1	Housing	05	Hexagon bolt	V 19	Housing
2	Mounting flange	06	Washer	V 20	Cover
3	Worm wheel	07	Grub screw	V 21	Pinion shaft
4	Worm shaft complete	08	O-ring	V 22	Sun wheel
6	Bushing	09	O-ring	V 23	Planet wheel axle
7	Travelling nut	010	O-ring	V 24	Planet wheel
8	Bearing cover	011	O-ring	V 26	Support washer
9	Retainer plate	012	O-ring	V 09	O-ring
10	Limit stop housing - G S	014	Parallel key	V 024	Ball bearing
10.1	Limit stop housing - G S V	015	Circlip	V 025	Hex. socket head cap screw
11	Pointer cover	017	Radial seal	V 026	Spring washer
12	Clamping washer	019	Hexagon bolt	V 027	Circlip
14	Coupling	020	Clamping sleeve	V 028	Circlip
15	End stop nut - G S	021	Hexagon bolt	V 029	Circlip
15.1	End stop nut - G S V	022	Spring washer	V 030	Securing washer
16	Cap	026	Spring washer	V 031	Support washer
17	Lid for buried service	036	Grub screw	V 032	Support washer
18	Actuator mounting flange	037	Hex. socket head cap screw	V 033	O-ring
25	Actuator mounting flange	038	Spring washer	V 034	Radial seal
31	Input shaft	039	Dowel pin	V 035	Parallel Key
01	Hexagon bolt	046	Ball bearing	V 036	Grub screw
02	Spring washer	047	Circlip	V 040	Radial seal
03	Hexagon bolt	048	Hex. socket head cap screw		
04	Spring washer	V 4	Worm shaft compl.		