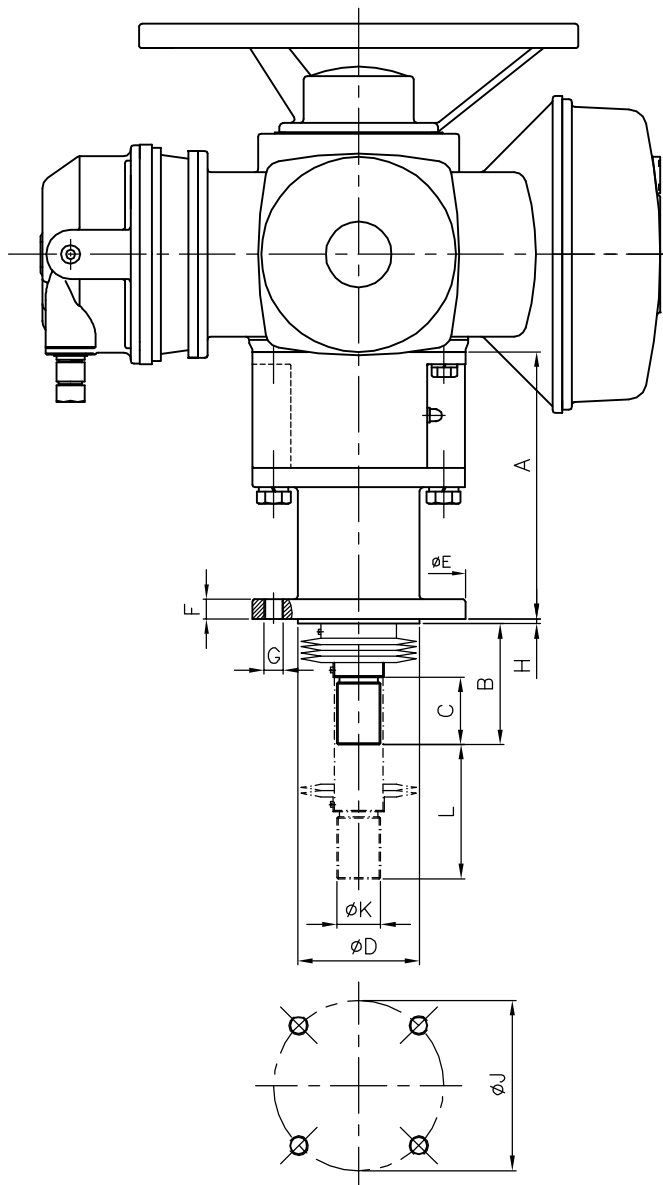


# Linear Thrust Unit for control valves

SA/SAR3–SA/SAR100  
with  
LTU6 – LTU100



For all other dimensions of actuator, please refer separate data sheet

(all dimensions are in mm)

Dimensions	LTU6		LTU12		LTU25		LTU50		LTU100
	SA/SAR3–SA/SAR6		SA / SAR12		SA / SAR25		SA / SAR50		SA / SAR100
Stroke (L) mm	50	100	60	120	80	160	80	160	130
Thrust max. kN	20		35		63		100		175
Thrust max. kN for Regulating	10		18		31.5		50		87.5
Stem thread, LH	Tr. 24x5		Tr. 32x6		Tr. 40x7		Tr. 50x8		Tr. 60x9
A	150	200	155	215	219	299	219	299	302
B	57		67		99		99		128
C	25		30		55		55		75
ØD	70		70		100		100		130
ØE	125		125		175		175		210
F	15		15		16		16		20
G	M10		M10		M16		M16		M20
H	3		3		4		4		4
ØJ	102		102		140		140		165
ØK	M16x1.5		M20x1.5		M36x3		M36x3		M42x3