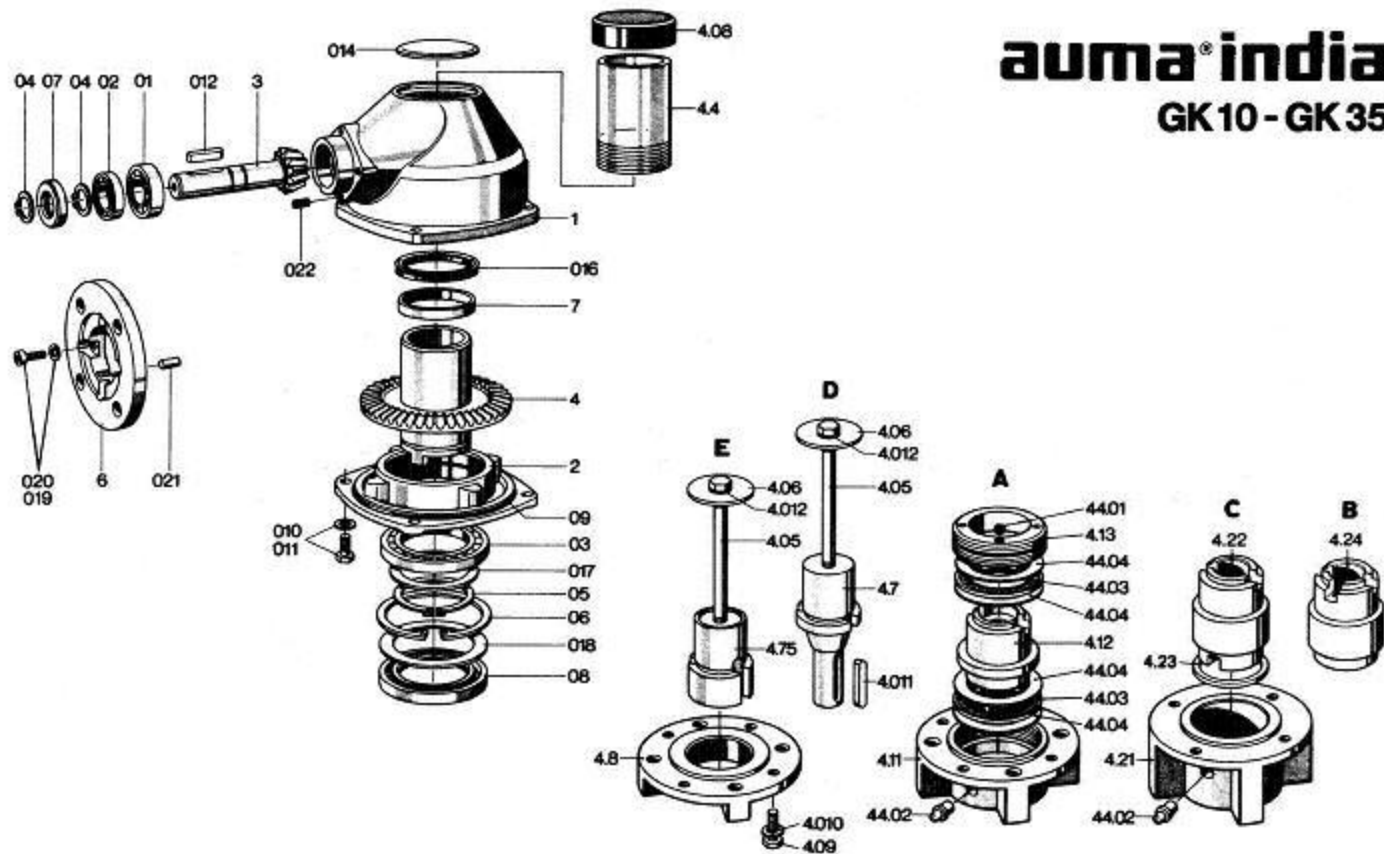


# auma® india

## GK10 - GK35



### LIST OF PARTS

Part No.	Designation	Part No.	Designation
1	Housing	021	Dowel pin
2	Bearing flange	022	Grub screw
3	Bevel pinion shaft	4.4	Stem protection tube
4	Bevel Wheel	4.08	Cap
6	Actuator mounting flange	4.7	Stub shaft (type D)
7	Bearing bush	4.8	Mounting flange (type D & E)
01	Ball bearing	4.11	Mounting flange (type A)
02	Ball bearing	4.12	Stem nut (type A)
03	Ball bearing	4.13	Bearing locknut
04	Circlip	4.21	Mounting flange (type B & C)
05	Circlip	4.22	Dog drive sleeve (type C)
06	Circlip	4.23	Thrust ring
07	Radial seal	4.24	Keyway drive sleeve (type B)
08	Radial seal	4.75	Drive socket (type E)
09	O-ring	4.05	Hexagon bolt
010	Hexagon bolt	4.06	Washer
011	Spring washer	4.09	Hexagon bolt
012	Parallel key	4.010	Spring washer
014	Lid	4.011	Parallel key
016	Quadring	4.012	Spring washer
017	Shim ring	44.01	Set screw
018*	Shim ring	44.02	Grease nipple
019	Hex. Socket head cap screw	44.03	Thrust bearing
020	Spring washer	44.04	Thrust bearing race

\*Only required for some gear operators