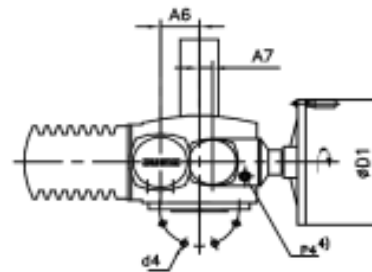
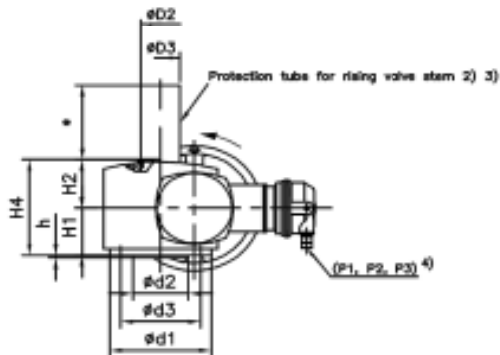
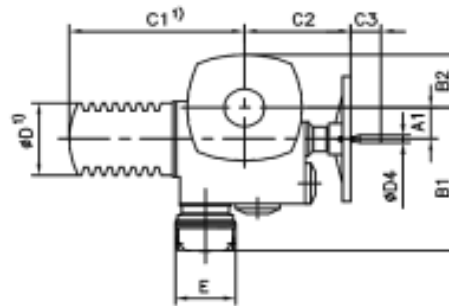


## Dimensions Multi-turn Actuators (With Plug in Type Customer Terminals)

SA 25.1 – SA 40.1

Output drives according to EN ISO 5210, DIN 3338, dimensions see next page

- 1) Exact dimensions according to motor used
- 2) Only if ordered additionally
- 3) In steps of 100mm length each
- 4) Other conduit threads sizes and numbers on request



Dimensions	Multi-turn Actuator Type			
	SA 25.1	SA 30.1	SA 35.1	SA 40.1
EN ISO 5210	F25	F30	F35	F40
A1	100	125	160	200
A6	116	116	116	116
B1	456	490	575	615
B2	170	185	225	250
C1 <sup>1)</sup> max	513	742	816	841
C2	316	345	458	487
C3	93	93	93	93
ØD <sup>1)</sup> max.	230	265	265	265
ØD1	400	500	400	500
ØD2	G4"	G5"	M190x3	M220x3
ØD3	114x4.5	139x4.85	194x6.3	220x6.3
Ød4	24	24	24	24
E	180	180	180	180
H1	150	175	203	208
H2	162	175	214	214
H4	312	350	417	422
P1 <sup>4)</sup>	M25x1.5	M25x1.5	M25x1.5	M25x1.5
P2 <sup>4)</sup>	M20x1.5	M20x1.5	M20x1.5	M20x1.5
P3 <sup>4)</sup>	M32x1.5	M32x1.5	M32x1.5	M32x1.5
P4 <sup>4)</sup>	M32x1.5	M40x1.5	M50x1.5	M50x1.5
Ød1	300	350	415	475
Ød2 f8	200	230	260	300
Ød3	254	298	356	406
d4	8xM16	8xM20	8xM30	8xM36
h	5	5	5	5

We reserve the right to alter data according to improvements made. Previous documents become invalid with the issue of this documents.

**auma**

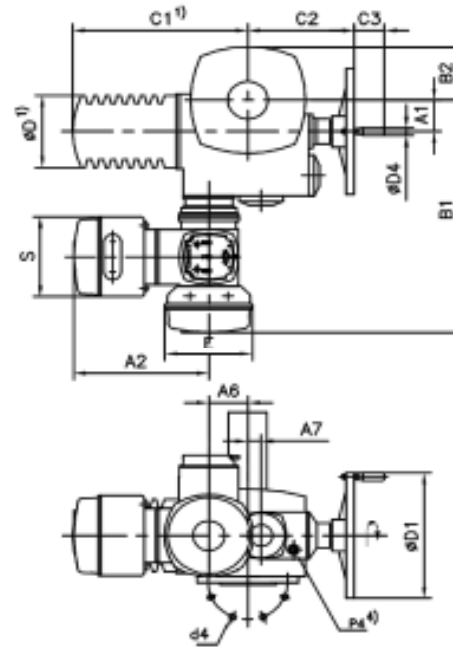
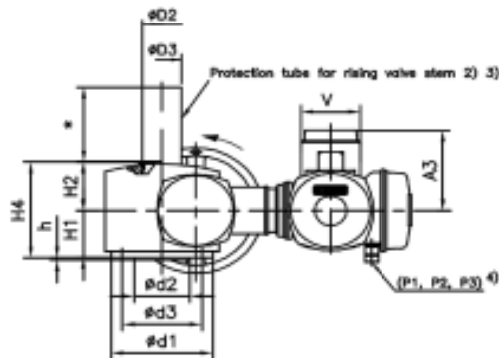
# High Torque Actuator Data Sheet

## Dimensions Multi-turn Actuators with Integral Starter (Screw Type Customer Terminals)

SA 25.1 – SA 40.1

Output drives according to EN ISO 5210,  
DIN 3338, dimensions see next page

- 1) Exact dimensions according to motor used
- 2) Only if ordered additionally
- 3) In steps of 100mm length each
- 4) Other conduit threads sizes and numbers on request



Dimensions	Multi-turn Actuator Type			
	SA 25.1	SA 30.1	SA 35.1	SA 40.1
EN ISO 5210	F25	F30	F35	F40
A1	100	125	160	200
A2	400.5	400.5	400.5	400.5
A3	256	256	256	256
A6	116	116	116	116
A7	39	39	39	39
B1	740.5	774.5	859.5	899.5
B2	170	185	225	250
C1 <sup>1)</sup> max	513	742	816	841
C2	316	345	458	487
C3	93	93	93	93
ØD <sup>1)</sup> max.	230	265	265	265
ØD1	400	500	400	500
ØD2	G4"	G5"	M190x3	M220x3
ØD3	114x4.5	139x4.85	194x6.3	220x6.3
Ød4	24	24	24	24
E	260	260	260	260
H1	150	175	203	208
H2	162	175	214	214
H4	312	350	417	422
P1 <sup>4)</sup>	M25x1.5	M25x1.5	M25x1.5	M25x1.5
P2 <sup>4)</sup>	M20x1.5	M20x1.5	M20x1.5	M20x1.5
P3 <sup>4)</sup>	M32x1.5	M32x1.5	M32x1.5	M32x1.5
P4 <sup>4)</sup>	M32x1.5	M40x1.5	M50x1.5	M50x1.5
Ød1	300	350	415	475
Ød2 f8	200	230	260	300
Ød3	254	298	356	406
d4	8xM16	8xM20	8xM30	8xM36
h	5	5	5	5
S	305	305	305	305
V	175	175	175	175

We reserve the right to alter data according to improvements made. Previous documents become invalid with the issue of this documents.

**auma**