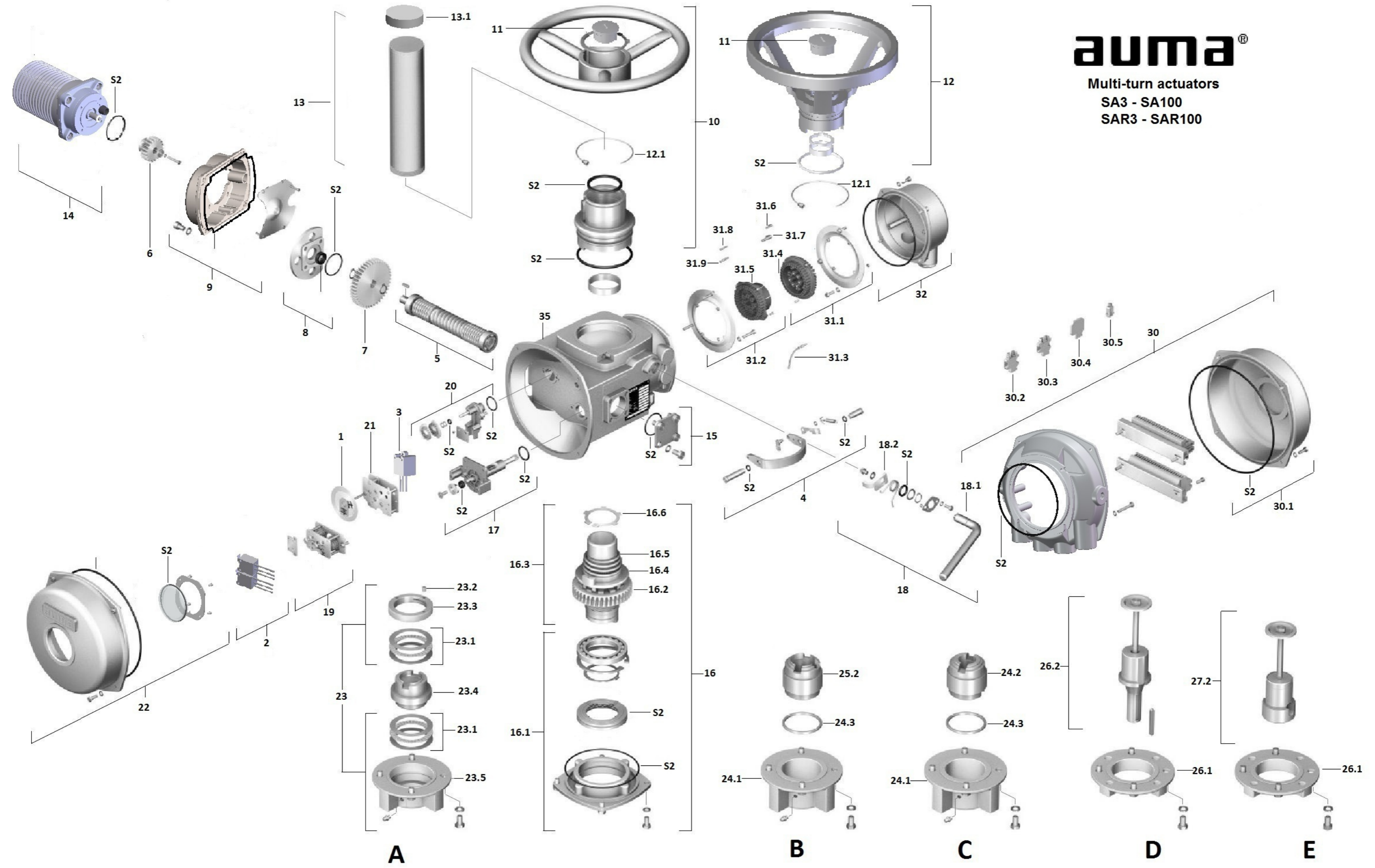


auma®

Multi-turn actuators
SA3 - SA100
SAR3 - SAR100



SA 3 - SA 100

SAR 3 - SAR 100

Spare parts list Multi-turn actuators

Please state type and order no. of the device (see name plate) when ordering spare parts. Only original AUMA spare parts should be used. Failure to use original spare parts voids the warranty and exempts AUMA from any liability. Delivered spare parts may slightly vary from the representation.

Ref. No.	Designation	Type	Ref. No.	Designation	Type
1	Mechanical position indicator	Sub-assembly	22	Switch compartment Cover	Sub-assembly
2	Limit switches	Sub-assembly	23	Output drive type A (without stem nut)	Sub-assembly
3	Torque switches	Sub-assembly	23.1	Axial needle roller bearing	Sub-assembly
4	Clutch fork	Sub-assembly	23.2	Grub screw	
5	Worm shaft	Sub-assembly	23.3	Locking nut	
6	Pinion	Sub-assembly	23.4	Stem nut A (without thread)	
7	Wheel	Sub-assembly	23.5	Mounting Flange (Type)	
8	Internal bearing retainer	Sub-assembly	24.1	Mounting Flange (Type B & C)	Sub-assembly
9	Motor Mounting Flange	Sub-assembly	24.2	Drive sleeve (Type C)	
10	Hand wheel with Adaptor	Sub-assembly	24.3	Thrust ring (Type B & C)	
11	Plug		25.2	Key drive sleeve (Type B)	
12	Hand wheel	Sub-assembly	26.1	Mounting Flange (Type D & E)	Sub-assembly
12.1	Retainer Ring		26.2	Stub shaft (Type D)	Sub-assembly
13	Stem protection tube	Sub-assembly	27.2	Drive socket (Type E)	Sub-assembly
13.1	Stem Protection tube cap		30	Electrical connection (terminals)	Sub-assembly
14	Motor	Sub-assembly	30.1	Terminal Cover (Screw type)	Sub-assembly
15	External bearing retainer	Sub-assembly	30.2	Terminals for motor	
16	Output drive hollow shaft	Sub-assembly	30.3	End plate	
16.1	Bearing flange	Sub-assembly	30.4	Terminal for controls	
16.2	Worm wheel		30.5	End clamp	
16.3	Hollow shaft	Sub-assembly	31.1	Socket carrier with adapter plate	Sub-assembly
16.4	Clutch ring		31.2	Pin carrier with adapter plate	Sub-assembly
16.5	Compression spring		31.3	Wire for Earthing	Sub-assembly
16.6	Circlip		31.4	Socket carrier (complete with sockets)	Sub-assembly
17	Limit switch drive	Sub-assembly	31.5	Pin carrier without pins	
18	Declutch Lever	Sub-assembly	31.6	Socket for controls	Sub-assembly
18.1	Declutch Lever		31.7	Socket for motor	Sub-assembly
18.2	Tripping Arm		31.8	Pin for controls	Sub-assembly
19	Limit switch counter gear	Sub-assembly	31.9	Pin for motor	Sub-assembly
20	Torque switch drive assembly	Sub-assembly	32	Terminal Cover (Pin type)	Sub-assembly
21	Reduction gearing	Sub-assembly	35	Housing	