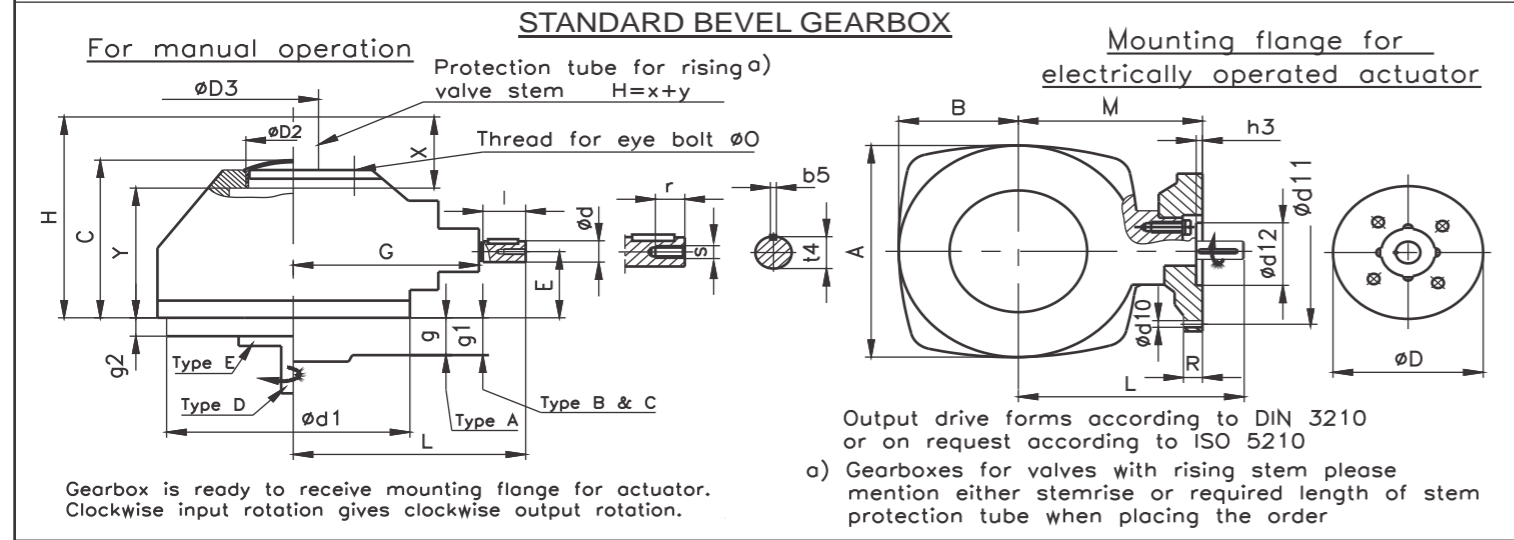


BEVEL GEARBOX TECHNICAL DATA / DIMENSIONS										GK 10.1 - GK 35.1			
Max Output torque Nm lbsft	Reduction ratio	Input torque ¹⁾ Nm lbsft	Mech ²⁾ advantage	Gearbox Type	Output drive DIN 3210 (ISO 5210)	Stem diameter for Type A max.mm max.inch	Thrust permissible for Type A max.kN max.lbs	Weight ⁴⁾ Kg lbs	Hand wheel diameter ⁵⁾ mm inch	Actuator mounting flange DIN 3210	Suitable actuator auma type	Weight of actuator max.Kg max.lbs	
120	1:1	132	0.9	GK 10.1	G0 (F10)	38	60	6	350/400 14/16	G0	SA12/ SA15	40	
90		100							13500		250/350 10/14		SA6
120	2:1	67	1.8	GK 14.1	G½ (F14)	1½	160	11	350/400 14/16	G0 (G½)	SA12/ SA15	40	
90		50							36000		2		SA6
500	4:1	140	3.6	GK 16.1	G3 (F16)	2	190	22	400/640 16/25	G½	SA25/ SA30	70 155	
375		105							42700		2½		SA50
1000	4:1	280	3.6	GK 25.1	G4 (F25)	3⅜	320	53	500/640 20/25	G½	SA50	90 200	
750		210							72000		4		SA60
2000	6:1	370	5.4	GK 30.1	G5 (F30)	4	450	74	640/800 25/32	G½	SA50/ SA60	90 200	
1500		270							101500		4		SA60
4000	8:1	560	7.2	GK 30.1	G5 (F30)	4	450	74	640/800 25/32	G½	SA50/ SA60	90 200	
3000		410							101500		4		SA60
8000	8:1	1100	7.2	GK 35.1	G6 (F35)	4¾	820	123	800	G3	SA100 ⁶⁾	150 330	
6000		810							185000		271		32

1) At max output torque
 2) Conversion factor output torque : input torque
 3) The permissible axial forces are considerably beyond the max. thrust of actuators available when converting rotary to linear movement by using trapezoidal thread
 4) Gearbox without drive adapter and without mounting flange for actuator
 5) Observing the permissible effort at hand wheel
 6) Depending on required gearbox output torque
 * Type of Enclosure IP67 dust proof & watertight. IP68 enclosure on request



Dimensions	A	B	C	øD2	øD3	E	G	L			M	øO	Y	ød1	g	g1	g2
								G0	G½	G3							
GK 10.1	130	65	160	R 2"	60 x 3.7	69	105	150	—	—	110	—	134	125	37	50	15
GK 14.1	180	90	160	R 2½"	76 x 3.7	76	130	175	195	—	135	—	137	175	51	65	22
GK 16.1	230	115	193	R 3"	89 x 4.1	103	164	—	229	—	169	—	166	210	69	80	30
GK 25.1	340	170	230	R 4"	114 x 4.5	129	236	—	301	—	241	M12	200	300	90	110	35
GK 30.1	370	185	244	R 4"	114 x 4.5	138	256	—	322	—	262	M16	215	350	152	130	35
GK 35.1	450	225	283	R 5"	140 x 4.9	165	303	—	—	389	309	M20	253	410	150	180	40

Dimensions of flange and input shaft																
Actuator mounting flange	DIN 3210	øD	R	b5	ød	ød10	ød11	ød12	h3	l	r	s	t4	kg	lbs	
	G0	125	12	6	20g6	11	102	60	4	40	11	M5	22.5	1	2.2	
	G½	175	17	8	30g6	18	140	100	5	60	17	M8	33	2.3	5	
	G3	210	25	12	40g6	22	165	130	6	80	32	M16	43	5	11	

We reserve the right to alter data according to improvements made. Previous documents become invalid with the issue of this document.

OUTPUT DRIVE TYPE ACCORDING TO DIN 3210 GK 10.1 – GK 35.1 GST 12 – GST 800

Output Drives	Bevel / Spur Gearbox Type							
	Dimensions	GK 10.1 GST 12	GK 14.1 GST 25	GK 16.1 GST 100	GK 25.1 GST 200	GK 30.1 GST 400	GK 35.1 GST 800	
TYPE-A Stem nut 	DIN 3210	G0	G1/2	G3	G4	G5	G6	
	F max k N	60	160	190	320	450	820	
	ød1	125	175	210	300	350	410	
	ød2 f8	60	100	130	160	180	220	
	ød3	M10	M16	M20	M16	M20	M30	
	ød4	40	55	70	90	110	125	
	ød5-max	38	52	65	86	105	121	
	g	37	51	69	90	152	150	
	h1	3	4	4	4	5	5	
	h2	15	22	30	25*	25*	30*	
	ø k	102	140	165	254	300	356	
	L 1	1	2	2	2	2	2	
	L 2	40	51	70	85	150	146	
	z	4	4	4	8	8	8	
	weight	kg	2	6	12	32	40	85
lbs		4.4	13	26	70	88	187	
TYPE-B Plug sleeve 	b1 JS9	12	18	22	28	32	40	
	ød4	40	55	70	90	110	125	
	ød5 max	38	52	65	86	105	121	
	ød6 H8	42	60	80	100	120	160	
	g1	50	65	80	110	130	180	
	h1	2	2	2	2	3	3	
	L 3	45	65	80	110	130	180	
	t 1	45.3	64.4	85.4	106.4	127.4	169.4	
	weight	kg	2	6	12	32	40	85
	lbs		4.4	13	26	70	88	187
	TYPE-C Dog coupling 	b2 H11	14	20	24	30	40	45
		ø d4	40	55	70	90	110	125
		ød5	28	38	47	64	75	105
		DIN 3210	28	38	47	64	75	105
		ød5 max	38	52	65	86	86	121
ød7		50	75	100	130	150	205	
g1		50	65	80	110	130	180	
h1		3	4	4	4	5	5	
h3		10	12	15	16	18	22	
weight		kg	2	6	12	32	40	85
lbs			4.4	13	26	70	88	187
TYPE-D Stub shaft 		b3 h9	6	8	12	14	18	22
		ød8 g6	20	30	40	50	60	80
		g2	15	22	30	35	35	40
		L 4	50	70	90	110	120	120
	L 5	55	76	96	116	127	127	
	t 2	22.5	33	43	53.5	64	85	
	weight	kg	1.5	3.5	6	15	17	30
	lbs		3.3	7.7	13	33	37	66
	TYPE-E Bore with keyway 	b4 JS 9	6	8	12	14	18	22
		ød9 (H8)	20	30	40	50	60	80
		DIN 3210	20	30	40	50	60	80
		ød9 max	32	45	60	80	80	110
		g2	15	22	30	35	35	40
		h1	3	4	4	4	5	5
		L 6	55	77	97	130	130	130
t 3		22.8	33.3	43.3	53.8	64.4	85.4	
weight		kg	1.5	3.5	6	15	17	30
lbs			3.3	7.7	13	33	37	66

We reserve the right to alter data according to improvements made. Previous documents become invalid with the issue of this document.