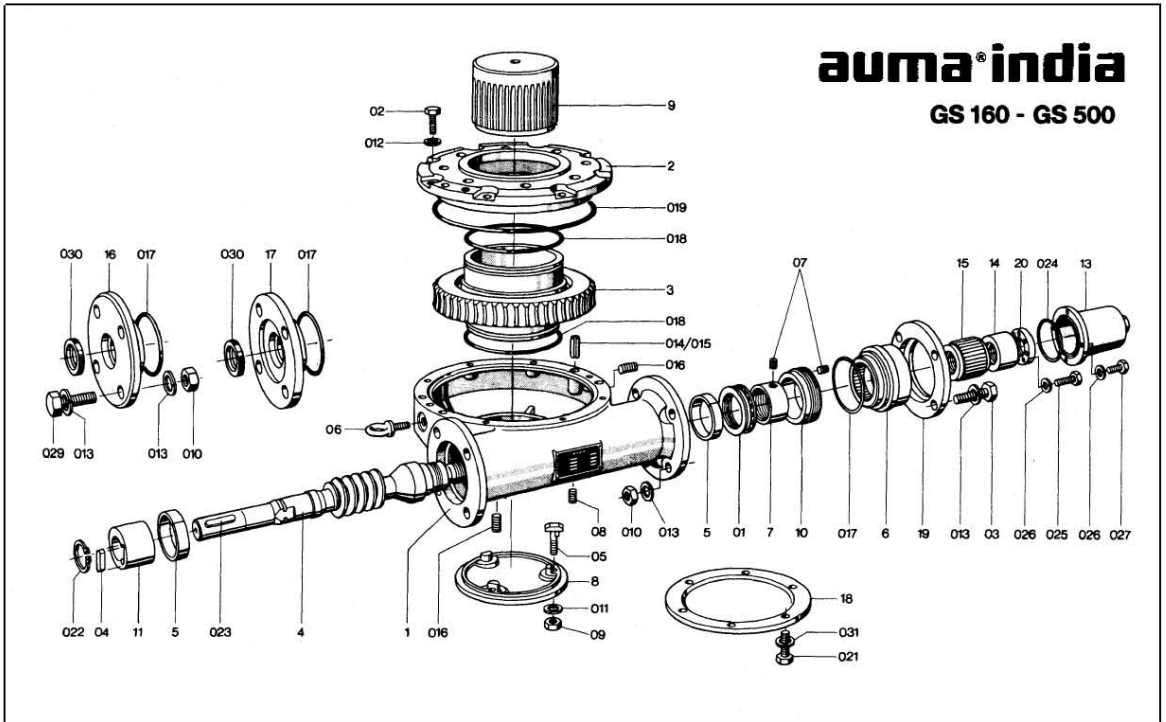


auma® india

GS 160 - GS 500



LIST OF PARTS

Part No.	Designation	Part No.	Designation
1	Housing	06	Eye bolt
2	Mounting flange	07	Grub screw
3	Worm wheel	08	Grub screw
4	Worm shaft	09	Hexagon nut
5	Bearing bush	010	Hexagon nut
6	End stop guide	011	Spring washer
7	Round Nut	012	Spring washer
8	Pointer cover	013	Spring washer
9	Coupling	014	Spring washer
10	Bearing lock nut	015	Spring washer
11	Bearing sleeve	016	Grub screw
13	Cap	017	O-ring
14	End stop nut	018	O-ring
15	Travelling nut	019	O-ring
16	Cover	021	Hexagon bolt
17	Adapter flange	022	Circlip
18	Lid for buried service	023	Parallel key
19	Clamping ring	024	O-ring
20	Clamping nut	025	Hexagon bolt
01	Thrust bearing	026	Spring washer
02	Hexagon bolt	027	Hexagon bolt
03	Hexagon bolt	029	Hexagon bolt
04	Parallel key	030	Radial seal
05	Hammer head bolt	031	Spring washer

LIST OF PARTS

Part No.	Designation
1	Housing
2	Cover
3	Pinion shaft
4	Change wheel
5	Pinion shaft
6	Output drive wheel
7	Distance ring
9	Actuator mounting flange
01	Ball bearing
02	Ball bearing
03	Ball bearing
04	Ball bearing
05	Circlip
06	Circlip
07	Circlip
08	Radial seal
09	Radial seal
010	O-Ring
011*	O-Ring
012	Hexagon bolt
013*	Hexagon bolt
014	Socket head cap screw
015	Hexagon nut
016	Spring washer
017*	Spring washer
018	Spring washer
019	Dowel pin
020	Parallel key
021	Lid
022	Washer
024	Grub screw

*Only provided when gear box is mounted to worm gear operators types GS 160 - GS 500

